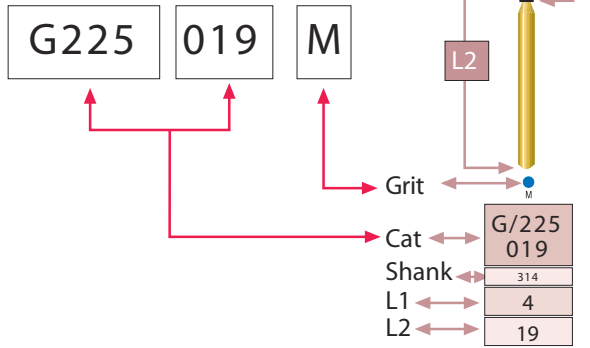
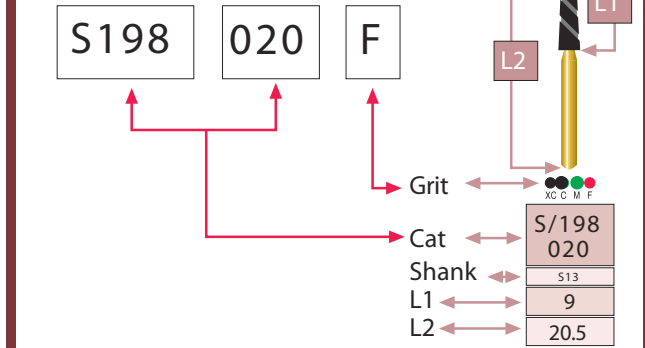




Gold-Order Sample



Twister Spiral-Order Sample



Twister™ Gold

Twister	ISO	L1	L2
197	GS/197		
	020	7	18.5
	S13		
198	GS/198	8	19.5
	GS/198	8	19.5
	GS/198	9	20.5
	020		
199	GS/199		
	016	10	21.5
	S13		
257	GS/257		
		5	20

Twister™ Spiral Dual-Action

The Twister™ has a precision engineered head with integral spiral groove, fully coated with MDT's proven "best value" multi-layer natural diamond coating:

- * Faster bulk reduction with smooth finish
- * More efficient water cooling - no clogging
- * Double-strength diamond adhesion with "Triton"™ coating